

The EXR5C discharge bars are designed for the active discharging of disruptive static charges which develop in production processes in explosion hazard area.

The discharge bars and the power supply are used mainly in cases where disruptive static charges on fast-moving material webs impair production processes and need to be eliminated.

The bars are operated with an alternating voltage of 5 kV at 50...60 Hz and are approved for use in explosive atmosphere.

The advantages of the EXR5C discharge bar:

- ultimate discharge range and hence enhanced depth effect
- high active discharge power through isolated ground conductors
- high safety standards through passive discharging power with deactivated power supplies
- safety through function and malfunction monitoring
- continuous assembly slotting guarantees flexible installation

Technical Information



F00009y

Series EXR5C Discharge Bars Series EXR50US Discharge Bars for AC Operation



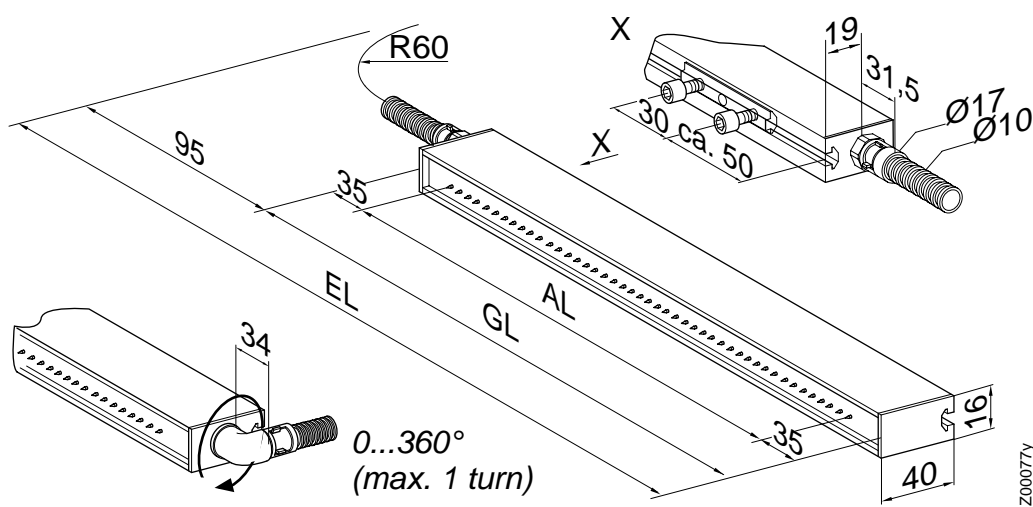
TI-en-2019-0804



electrostatic
innovations

Technical specifications EXR5C / EXR50US

Electrode (bar) element	glass-fibre-reinforced plastic GRP
Encapsulation material	polyurethane, UL-94 V-0
Emission tips	special alloy
Installation material	plastic sliding nuts
Operating ambient temperature	0...+40 °C (+32...+104 °F)
Ambient humidity	max. 70% RH, non-dewing
Dimensions	profile: 16 x 40 mm, max. length 3,985 mm, see Fig.
Weight	approx. 0.8 kg/m
Operating voltage	max. 5 kV AC, 50/60 Hz
High voltage supply	via ES53 + ES54 Eltex power supplies
High voltage connection	h.v. cable encapsulated, axial or radial (rotatable by 360°) lead-out
Short-circuit current/tip	33 µA
Contact protection	EN 61140:2002, paragraph 5.1.6
EX approval	BAS 98 ATEX 2179 X Ⓢ II2G Ex sm IIA T6 or Ⓢ II2G Ex sm IIB T6 if it is ensured that the possibility of the discharge pins being effectively connected together is avoided. Ⓢ II3D T100°C if it is ensured that the tips of the bar point downwards and that the flash power of the dust is >0.4 mJ.
UL approval (EXR50US)	Class I, Group D; Class II, Group G; Class III; File No. E81984



EL = Installation length

AL = Active length

GL = Total length

The h.v. cable leads out from the bar in either an axial or radial direction and is firmly encapsulated with the bar. The radial connection can be rotated by 360° and is locked in the desired position by means of a lock nut.

Maximum active length = 3915 mm, grid width 15 mm



**electrostatic
innovations**

Eltex-Elektrostatik-Gesellschaft mbH
 Blauenstraße 67, D-79576 Weil am Rhein
 Phone +49 (0) 76 21/ 79 05 - 230
 Fax +49 (0) 76 21/ 79 05 - 330
 eMail static-control@eltex.com
 Internet www.eltex.com