

The Series R45 discharge bars are designed for the active discharging of disruptive static charges which develop in production processes. The bars are operated with an alternating voltage of 5 or 6 kV at 50...60 Hz and are designed for discharging moving surfaces.

Due to differences in the surface charge profiles on different materials, charges with both polarities are provided by the discharge bars. The corona section with its optimized geometrical configuration ensures ultimate discharging efficiency.

The advantages of the R45 discharge bars:

- ultimate discharge range and hence enhanced depth effect
- high active discharge power through isolated ground conductors
- high safety standards through passive discharging power with deactivated power supplies
- safety through function and malfunction monitoring
- easy installation
- no health hazards from electric shocks when making contact with the tips

Technical Information



F00035y

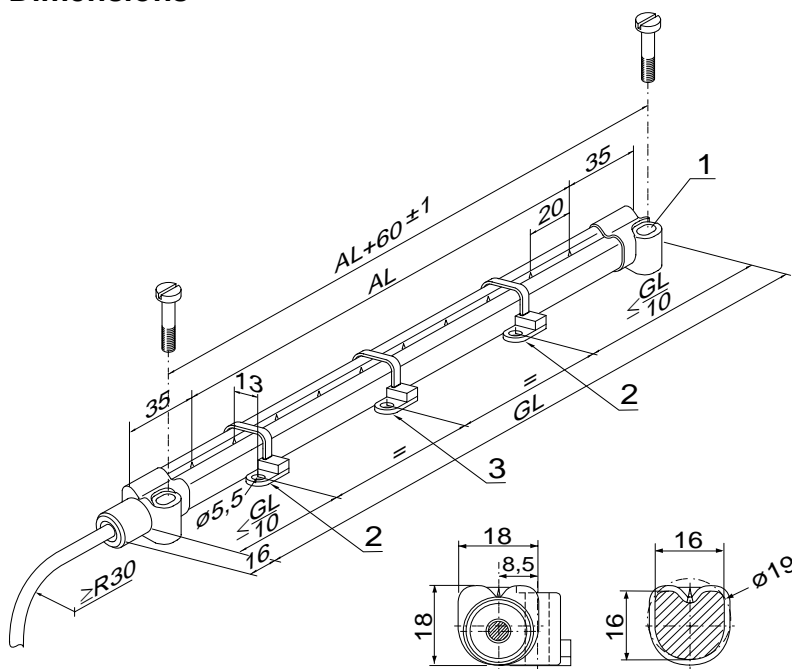
Series R45 Discharge Bars for AC Operation

TI-e-2045-0604



electrostatic
innovations

Dimensions



*AL = active length,
GL = total length*

- 1 *oblong holes for mounting, use only enclosed bolts made of plastic*
- 2 *alternative attachment via mounting clamps, bolts made of plastic or metal can be used*
- 3 *middle clamp for AL > 1,000*

Z00501y

Technical specifications

Electrode (bar) element	glass-fibre-reinforced plastic GRP
Encapsulation material	stainless steel
Installation	via oblong holes in the cover caps, alternative attachment via mounting clamps
Operating ambient temperature	0...+70°C (+32...+158°F)
Ambient humidity	max. 70% RH, non-dewing
Dimensions	profile: 16 x 16 mm, end caps: 18 x 22.5 mm, max. active length 1600 mm
Weight	approx. 0.4 kg/m
Operating voltage	max. 6 kV AC, 50/60 Hz
High voltage supply	via Eltex power supplies
High voltage connection	high voltage cable, axial lead-out
Short-circuit current	0.5 mA
Contact protection	EN 61140:2002, paragraph 5.1.6
UL approval	File No. E227156 (max. 5 kV AC, 50/60 Hz, operation via ES50US and ES51US Eltex power supplies)

High voltage cable



The R45 discharge bar has a non-detachable high voltage cable.

When ordering the bar, both the power supply to which the bars are connected and the cable length must be specified. These details are included in the order code for the electrode bars.



**electrostatic
innovations**

Eltex-Elektrostatik-Gesellschaft mbH
Blauenstraße 67, D-79576 Weil am Rhein
Phone +49 (0) 76 21/ 79 05 - 230
Fax +49 (0) 76 21/ 79 05 - 330
eMail static-control@eltex.com
Internet www.eltex.com