

The new Static Multi Monitoring measuring system measures and records the surface voltage during operation.

Up to three sensors can be positioned at any point above the web.

Data is recorded on standard compact flash cards which guarantee the trouble-free analysis on the PC.

Features of the Static Multi Monitoring:

- large color display with integrated control buttons
- 24 V DC supply voltage
- measuring range from 5 kV/m to 200 kV/m
- freely selectable recording intervals
- connection of up to 3 sensors, allowing wider web widths to be monitored reliably
- memory expansion: data recording > 1 year (optional)
- high measuring accuracy: additional field homogenising plate at a distance > 10 mm to measuring object
- freely adjustable signal relays for limit overranges
- robust sensor housing

## Technical Information



F01014Y

## STATIC MULTI MONITORING

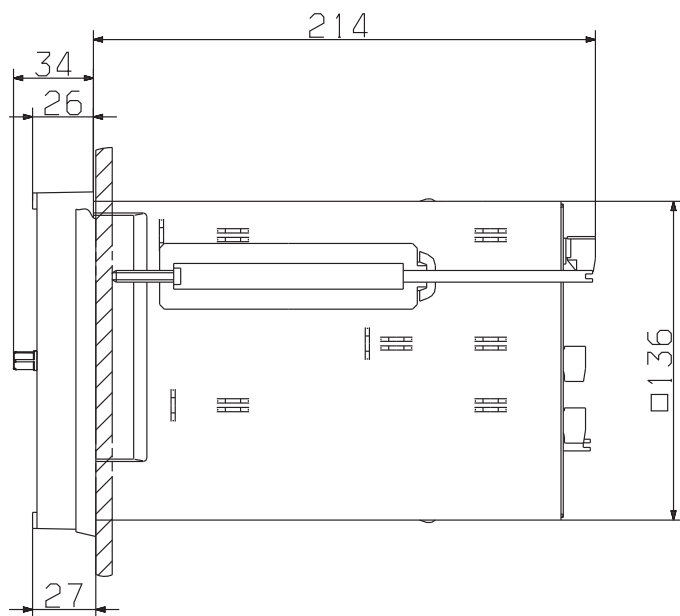
TI-en-1024-1102\_EM200



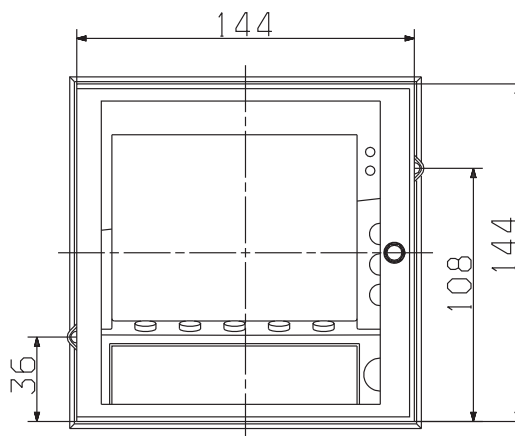
electrostatic  
innovations

## Dimensions and assembly instructions

### Paperless recorder

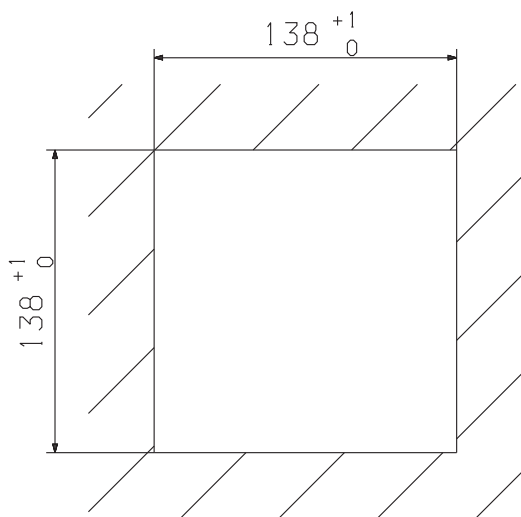


side view



front view

EM200\_1



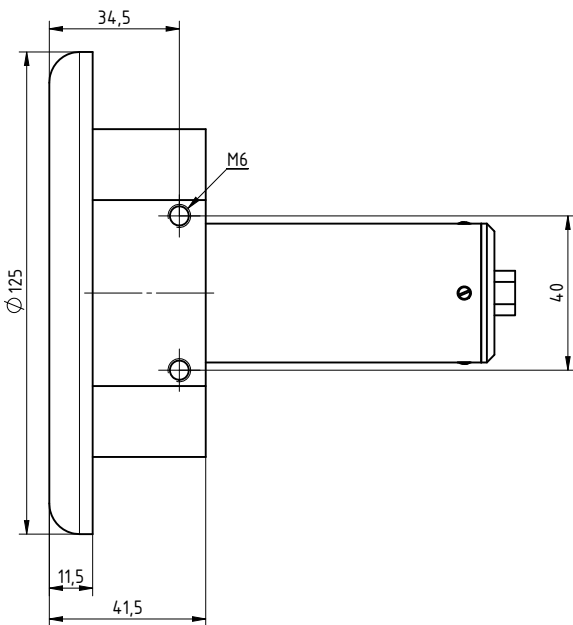
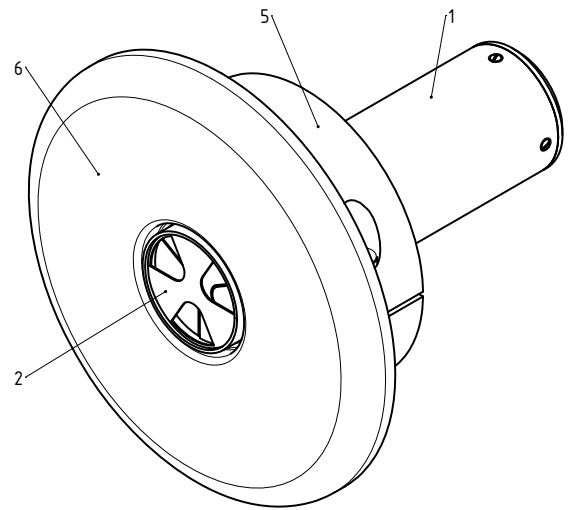
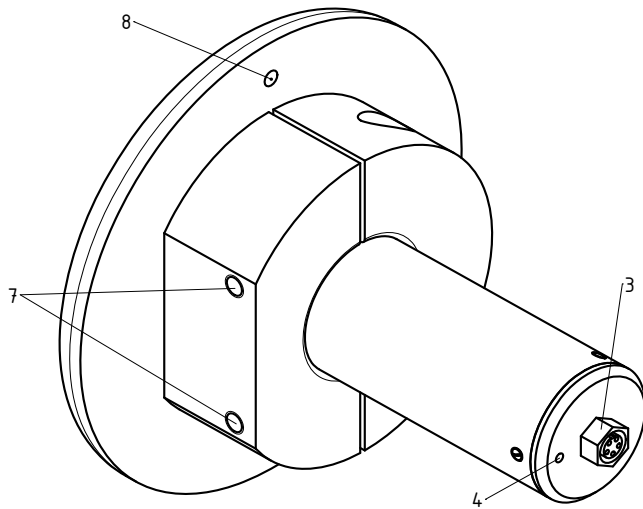
installation in operator panel

EM200\_2



electrostatic  
innovations

## Mount with field homogenising plate

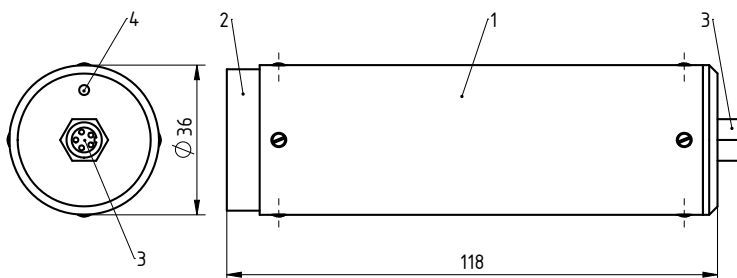


- 1 sensor housing
- 2 modulator system
- 3 socket 5-pole
- 4 zero trimmer
- 5 flange attachment
- 6 field homogenising plate
- 7 tapped bore M6
- 8 tapped bore M5 for ground connection

Z-111751y\_2/3

Z-111751y\_1

## E-Field-Sensor



side / back view

Z-111578\_1

## Technical specifications

Supply voltage	24 V DC +/- 10 %
Power input	approx. 30 VA
Measuring range	5 kV/m up to max. 200 kV/m
Distance to measuring object	10 mm - 200 mm
Measuring accuracy (sensor)	+/- 5 % in the homogeneous field
Calibration (sensor)	in a homogeneous field of a plate capacitor, plate size 200 mm x 200 mm, plate distance 25 mm, modulator system centrally installed in a plate
Distance between measuring and display point	max. 20 m
Machine contact	1 input; recording Start / Stop
Sensors	1 - 3 pieces connectable
Signal relay	2 pieces, configurable
Binary inputs	3 pieces, configurable
Measuring intervals	adjustable
Alarm limits	adjustable
Memory capacity	1 month recording period (3 channels at 1 minute measuring interval)
Memory expansion (optional)	data recording >1 year with compact flash card, depending on measuring interval and number of channels
Ambient operating temperature	0...+40°C (+0...+104°F)
Ambient humidity	max. 75% r.h., without dewing
Optical indicator	green (operational), red (warning) LED in housing
Mains power	terminal, 230 V AC power supply as optional accessory
Sensor housing	metal
Sensor bracket	aluminium
Table-top housing paperless recorder (optional)	plastic with fold-down legs
Field homogenising plate (optional)	for use > 50 mm distance to measuring object, high measuring accuracy
Protection class	IP 20
Display cutout	138 x 138 x min. 250 mm (H x W x D)



**electrostatic  
innovations**

Eltex-Elektrostatik-Gesellschaft mbH  
Blauenstraße 67, D-79576 Weil am Rhein  
Telefon +49 (0) 76 21/ 79 05 - 230  
Telefax +49 (0) 76 21/ 79 05 - 330  
eMail [static-control@eltex.com](mailto:static-control@eltex.com)  
Internet [www.eltex.com](http://www.eltex.com)