

Electrostatic charges in production processes often cause disruptions and reduce both the process speed and the product quality.

The EXPR50 Ion Blower Pistol can now be used for active discharging, also in the hazardous area. The pistol is most effective in zones where charged surfaces attract and bind dust particle and where surfaces need to be discharged as well cleaned effectively at the same time before finishing. Paintshops benefit especially when parts are first blown off with ionised air and then finished free of dust.

The long discharging range supported by a powerful blast of air creates a special depth effect - discharging and blowing off static dust at the same time.

Features of the Ion Blower Pistole EXPR50:

- use in hazardous area
- ultimate safety through passive discharging when the power supplies are off
- high active discharging power through patented insulated ground conductors
- safety through function and pollution monitoring in connection with the ES53 power supply
- no electric shock risk when touching the tips
- flow-optimized air nozzle
- variable air supply

Technical Information



F00042yy

Ion Blower Pistol EXPR50 for AC operation

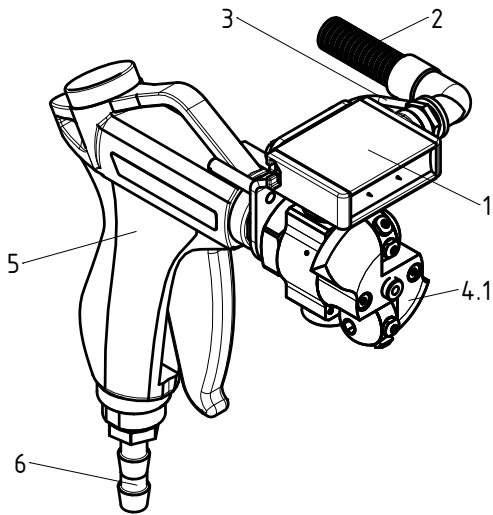
TI-en-2063-1206



Variants EXPR50

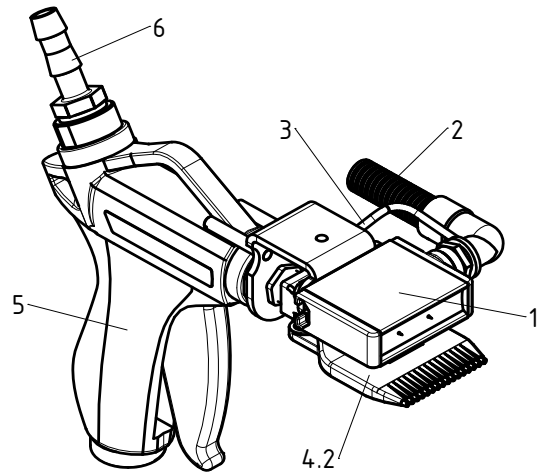
bottom air connection

rotating nozzle without filter: EXPR50/NC

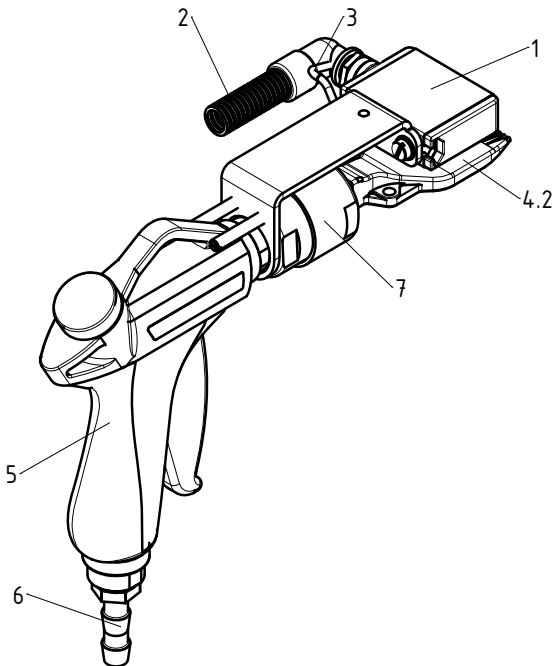


top air connection

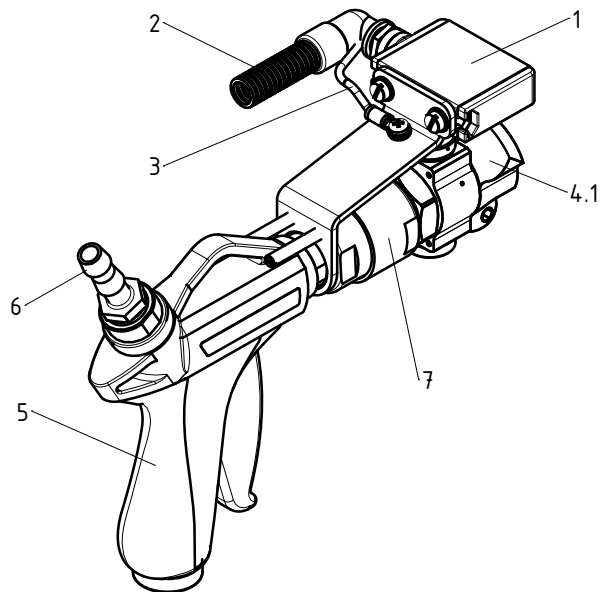
fishtail nozzle without filter: EXPR50/OF



fishtail nozzle with filter: EXPR50/FF

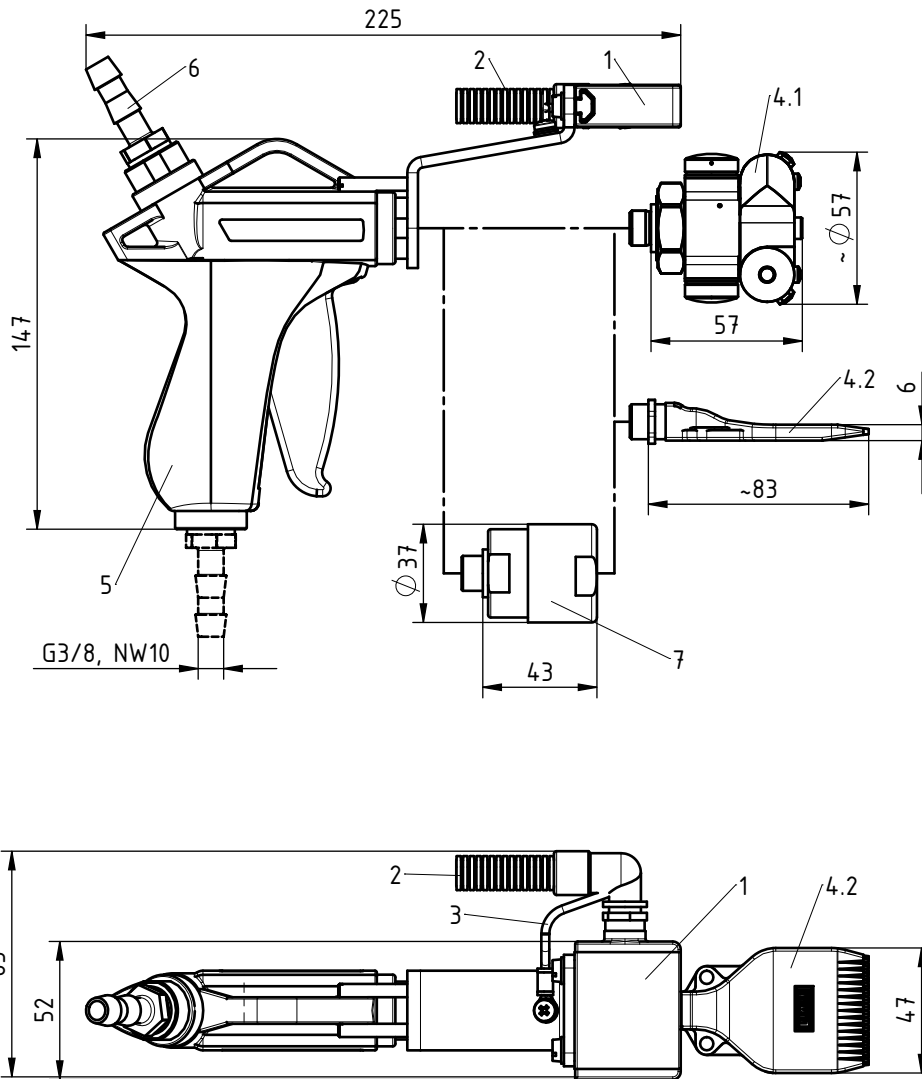


rotating nozzle with filter: EXPR50/GC



Depending on application, a grease filter should be provided which serves solely to eliminate grease particles from the piston movement of the blower pistol.

Dimensions Ion Blower Pistol and Ion Blower Nozzles

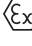
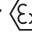


- 1 Ex-Discharging bar
- 2 High voltage cable
- 3 Ground cable (grounding)
- 4 Air nozzle, depending on application
- 4.1 Rotating nozzle
- 4.2 Fishtail nozzle
- 5 Metallic coated Ion Blower Pistol, depending on the version: air connection at the top or bottom
- 6 Air connection NW10
- 7 Air filter (at EXPR50/F and EXPR50/G)

The air supply is not included in the delivery; conductive compressed air hoses must be used.

Z-111753y

Technical Specifications

Effective range	approx. 50 - 100 mm
Blower pistol and bracket	plastic and metal
Bar element	glass-fibre-reinforced plastic GRP
Encapsulation material	polyurethane UL-94 V-0
Emission tips	stainless steel
Operating voltage	5 kV, 50/60 Hz
Short-circuit current emission tips/ground	max. 42 µA at 5 kV AC
Operating ambient temperature	min. +10°C...+40°C (+50°F...+104°F) with blowing air; blowing air temperature max. 30°C
Ambient humidity	min. 10% r.F., max. 70% r. F., no dewing permitted
High voltage supply	via Eltex power supplies ES53/G... resp. ES53/H... resp. ES53/I..., operating voltage max. 5 kV AC
High voltage connection	high voltage cable, encapsulated
Air connection	hose NW 10 mm / G3/8"
Air pressure	rotating nozzle: min. 5 bar, max. 10 bar; recommended: 6-8 bar fishtail nozzle: max. 6 bar
Rotating nozzle	standard rotary speed: approx. 750 1/min (not depending on pressure)
Contact protection	contact protected according to EN 61140
Dimensions	see figures
Weight	EXPR50 with filter: with rotating nozzle: approx. 600 g with fishtail nozzle: approx. 380 g EXPR50 without filter: with rotating nozzle: approx. 680 g with fishtail nozzle: approx. 460 g
Ex-Approval	TÜV10ATEX7873X:  II 2 G c IIA T6 or  II 3 D c T100°C
Air consumption [m³/h]	Typical values
Air pressure [bar]	0,5 1,0 1,5 2,0 2,5 3,0 3,5 4,0 4,5 5,0 5,5 6,0
Air consumption EXPR50/_F	3 7 9 12 15 17 20 23 26 29 32 34
Nozzle inserts Ø	0,6 0,8 1,0 1,2 1,4 1,6 1,8 2,0
Air consumption EXPR50/_C*	9,0 13,8 17,4 25,8 37,8 47,4 59,4 72,6

* with 2 nozzles per side (with 6 bar)



Eltex-Elektrostatik-Gesellschaft mbH
 Blauenstraße 67-69, D-79576 Weil am Rhein
 Telephone +49 (0) 76 21/ 79 05 - 230
 Fax +49 (0) 76 21/ 79 05 - 330
 eMail static-control@eltex.com
 Internet www.eltex.com

